

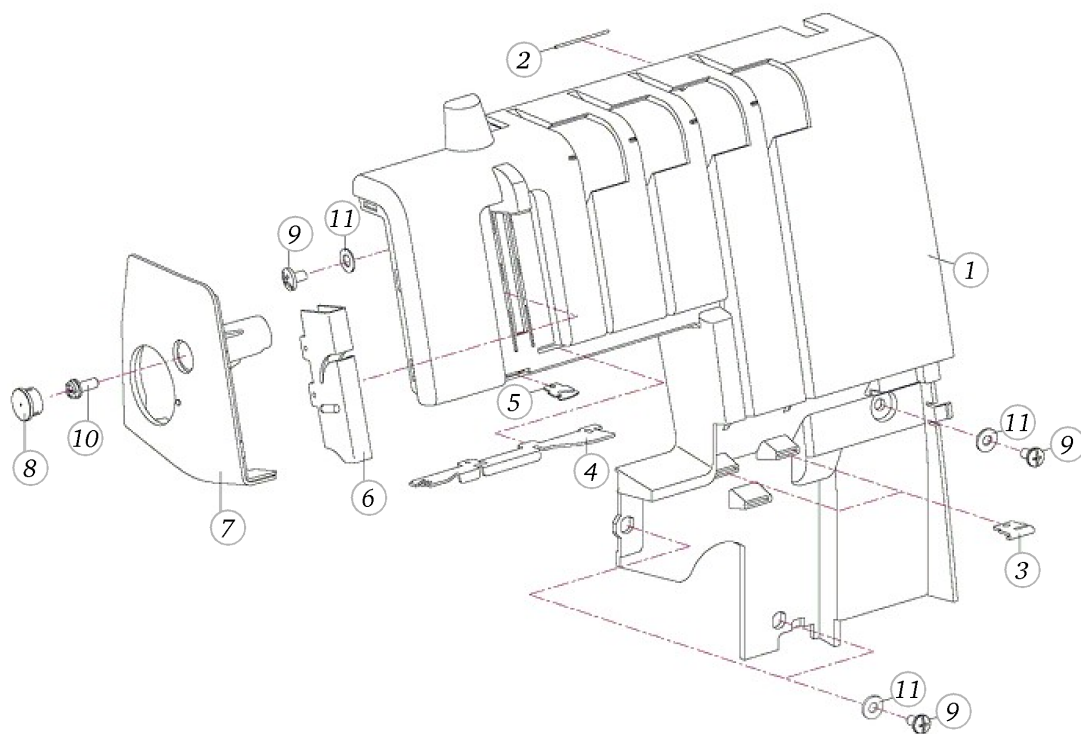


Spare Parts

b44

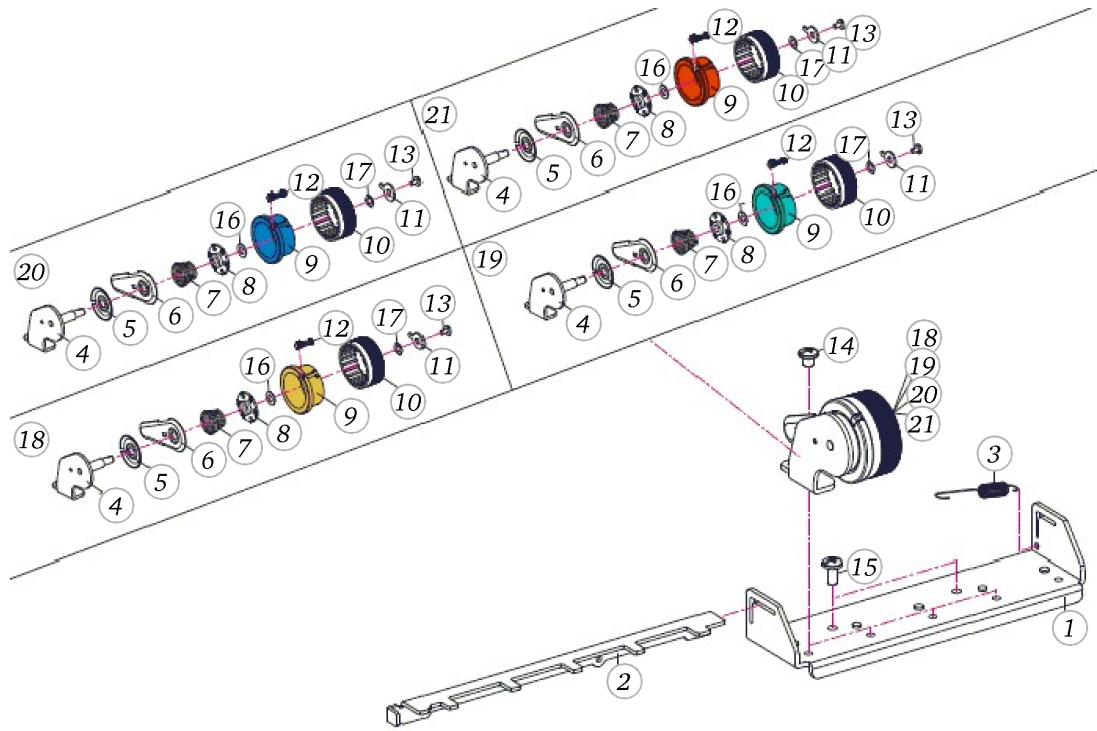
b44

Front cover



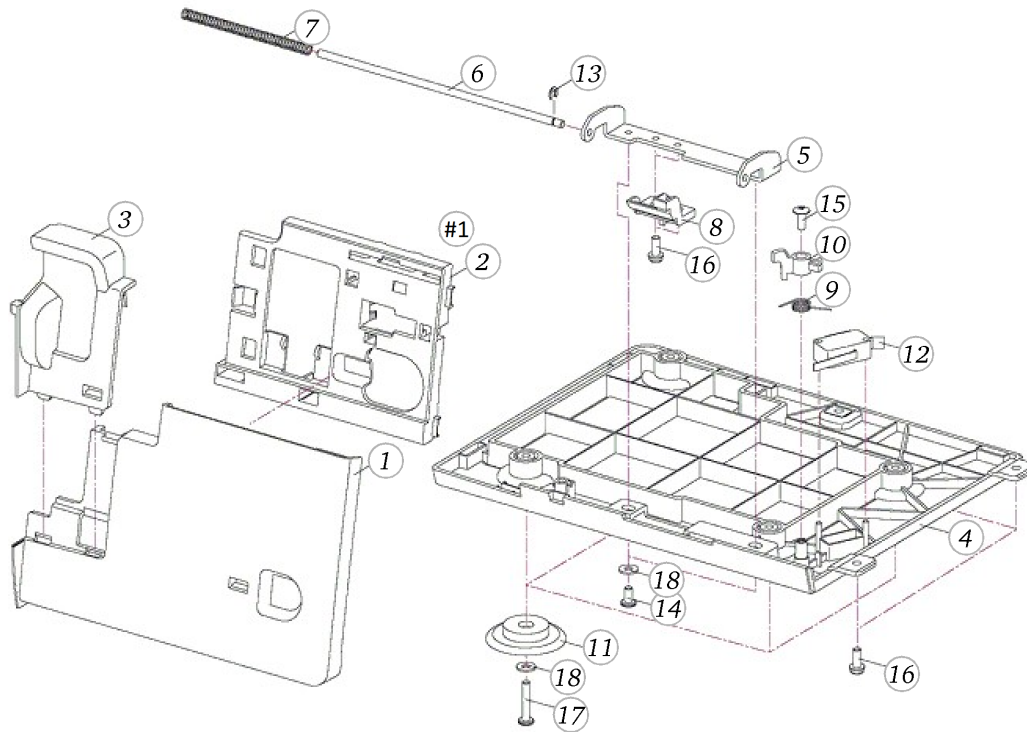
Pos	Item number	Description	Supplier Part no.
1	5020405392	FRONT COVER SET	G8037P002A
2	5020405428	Thread guide (C)	J1149
3	5020405190	THREAD GUIDE (F)	C10071004
4	5020405280	THREAD GUIDE (B)	G1166-A
5	5020405187	THREAD GUIDE (C)	B10231004
6	5020405414	THREAD TAKE-UP COVER	G8070A
7	5020405512	LAMP COVER	G8009P001
8	5020405422	Screw cap	H1030-8005
9	5020405472	Set screw	ZM04L08A02
10	5020405477	Set screw	ZM04L10W02
11	5020405490	Washer	ZW04.3F10J02

Thread tension

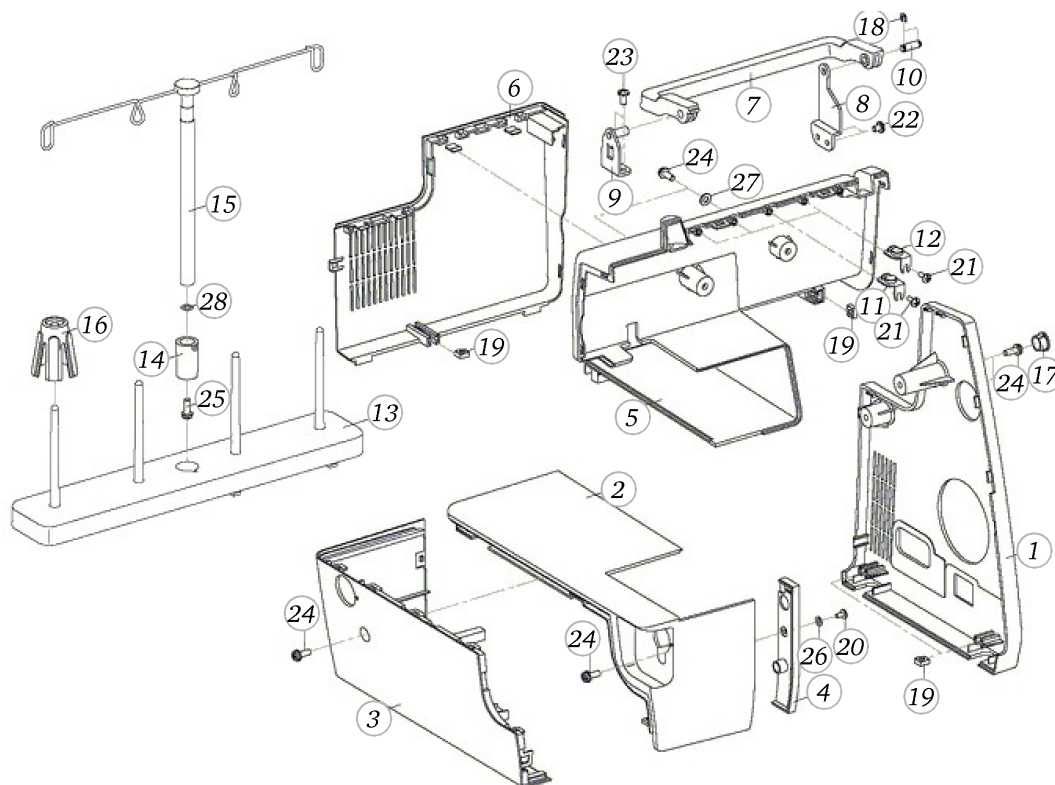


Pos	Item number	Description	Supplier Part no.
1	5020405398	TENSION DIAL HOLDER	G8043
2	5020405399	RELEASE PLATE	G8044
3	5020405400	Restoring spring	G8045
4	5020405352	TENSION DIAL HOLDER SET	G40112
5	5020405144	Tension disc	A10701004
6	5020405353	Tension disc	G4013
7	5020405188	Tension spring (Left needle)	B10481006
7	5020405189	TENSION SPRING (LOWER LOOPER)	B10501003
7	5020405318	Tension spring (Right needle/Upper looper)	G1332
8	5020405184	Tension regulate nut	B10131000
9	5020405174	Tension Regulate Disc (Yellow)	B10051225-01
9	5020405175	Tension Regulate Disc (Blue)	B10051285-01
9	5020405176	Tension Regulate Disc (Red)	B10051485-01
9	5020405178	Tension Regulate Disc (Green)	B10053275-01
10	5020405168	TENSION DIAL	B1004P024-01
11	5020405186	Tension dial setting plate	B10181001
12	5020405179	TENSION REGULATE PIN (YELLOW)	B10061225-01
12	5020405180	TENSION REGULATE PIN (BLUE)	B10061285-01
12	5020405181	TENSION REGULATE PIN (RED)	B10061485-01
12	5020405183	TENSION REGULATE PIN (GREEN)	B10063275-01
13	5020405454	Set screw	ZM03L05K42
14	5020405125	Set screw	ZM04L04.5A04
15	5020405472	Set screw	ZM04L08A02
16	5020405493	Washer	ZW05.1F10F03
17	5020405496	Wave washer	ZW05.2W09A11
18	5020405169	Tension Dial Set (Left Need)	B1004P024A
19	5020405170	Tension Dial Set (Middle)	B1004P024B
20	5020405171	Tension Dial Set (Right Ne)	B1004P024C
21	5020405172	Tension Dial Set (Lower Lo	B1004P024D

Looper cover

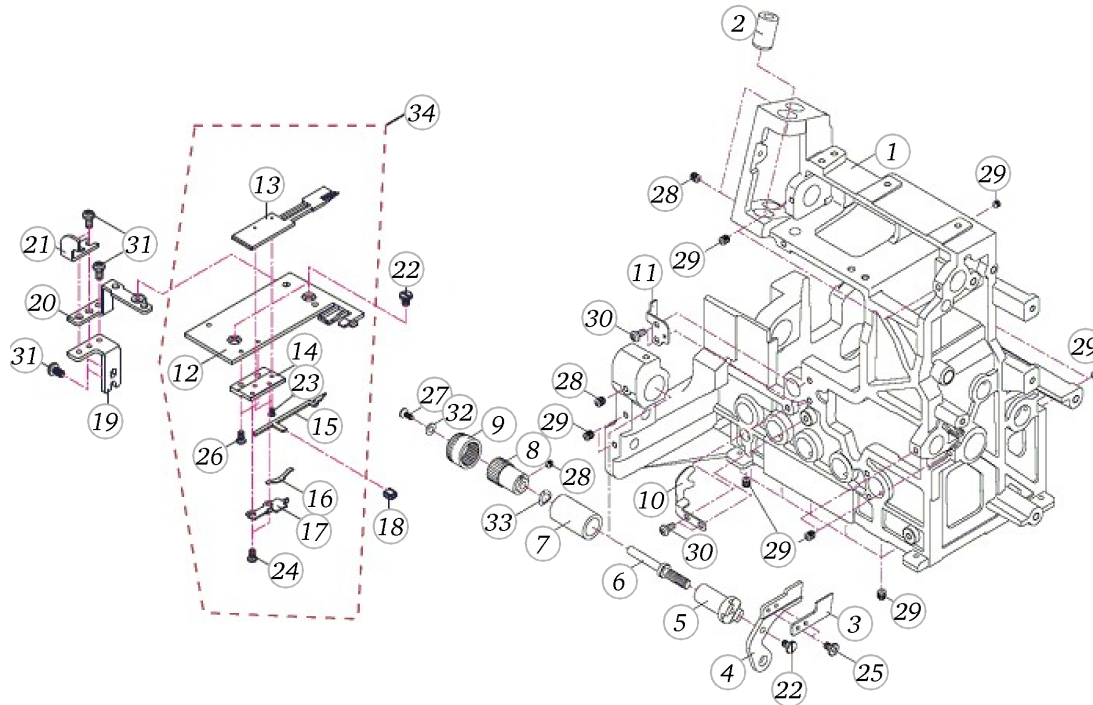


Pos	Item number	Description	Supplier Part no.
1	5020405366	LOOPER COVER	G8012P001
2	5020405522	LOOPER COVER ACCESSORY HOLDER	G8033-0505-01
3	5020405513	LOOPER COVER ATTACHED COVER (A)	G8013P001
4	5020405369	BASE PLATE	G8015-8005
5	5020405405	LOOPER COVER HINGE	G8051
6	5020405388	LOOPER COVER HINGE SHAFT	G8034
7	5020405406	LOOPER COVER HINGE SPRING	G8053
8	5020405378	Looper Cover Regulate Hol	G8024
9	5020405282	MICRO SWITCH CONTACTOR SPRING	G1208
10	5020405379	MICRO SWITCH CONTACTOR	G8025
11	5020405614	Rubber	L1153-01
12	5020405523	Mirco switch	EE1165
13	5020405443	E Ring	ZE03T06E13
14	5020405472	Set screw	ZM04L08A02
15	5020405475	Set screw	ZM04L10F42
16	5020405477	Set screw	ZM04L10W02
17	5020405481	SET SCREW	ZM04L22C42
18	5020405488	Washer	ZW04.2F16J02
NR1	5020406085	Accesoryholder set (Incl. Accessories)	G8033-0505A



Pos	Item number	Description	Supplier Part no.
1	5020405358	SIDE COVER	G8006P001
2	5020405362	Upper Extension Table	G8010P001
3	5020405364	LOWER EXTENSION TABLE	G8011P001
4	5020405390	UPPER KNIFE SET COVER	G8036-0505
5	5020405359	UPPER BACK COVER	G8007P001
6	5020405360	LOWER BACK COVER	G8008-8005
7	5020405383	HANDLE	G8029-0505
8	5020405380	HANDLE SUPPORTER (A)	G8026
9	5020405381	HANDLE SUPPORTER SET (B)	G80272
10	5020405429	HANDLE SUPPORTER PIN	J1150
11	5020405426	THREAD GUIDE PLATE A SET	H11302-01
12	5020405416	THREAD GUIDE PLATE A SET	G80752
13	5020405386	SPOOL STAND	G8032-0505
14	5020405284	Extension bar setting	G1228-0505
15	5020405407	THREAD GUIDES AND HOLDER	G80592
16	5020405165	Spool holder	A1V01-0505
17	5020405422	Screw cap	H1030-8005
18	5020405443	E Ring	ZE03T06E13
19	5020405465	Square nut	ZM04H03.4S02
20	5020405458	Set screw	ZM03L06E04
21	5020405461	Set screw	ZM03L08F42
22	5020405469	Set screw	ZM04L05A02
23	5020405472	Set screw	ZM04L08A02
24	5020405477	Set screw	ZM04L10W02
25	5020405479	Set screw	ZM04L12W02
26	5020405485	Washer	ZW03.2F07E03
27	5020405491	WASHER	ZW04.5F09H02
28	5020405496	Wave washer	ZW05.2W09A11

Stitch plate

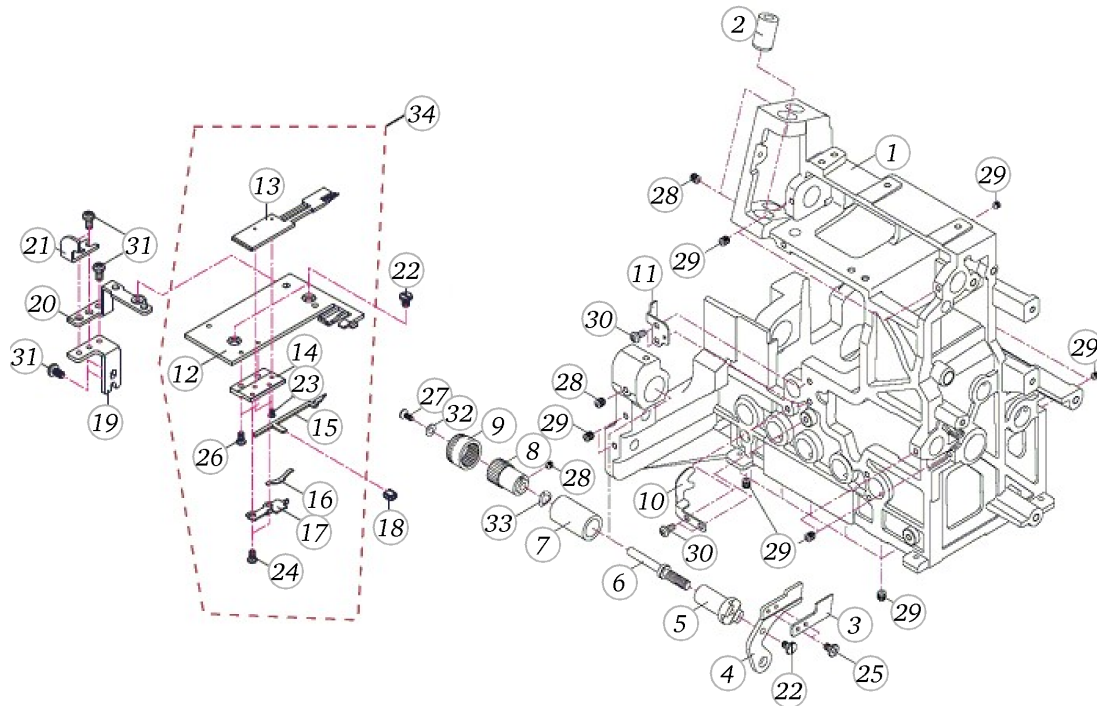


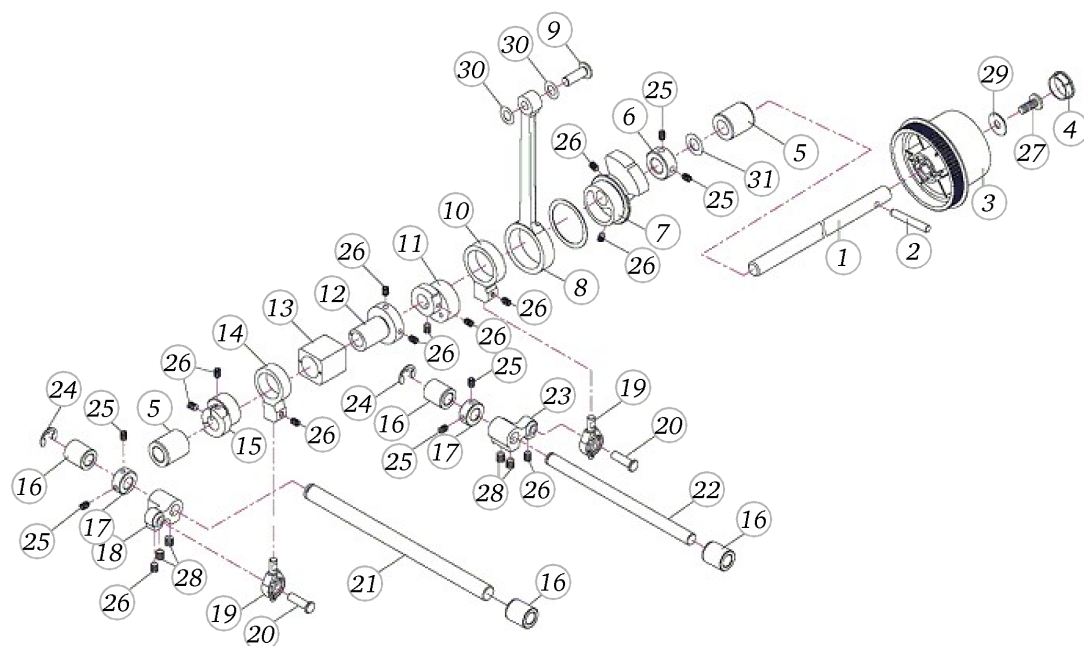
Pos	Item number	Description	Supplier Part no.
1	5020405198	MACHINE FRAME	G1002-02
2	5020405142	Bushing	A1037-01
3	5020405236	LOWER-CUTTER	G1075-2
3	5020405533	Lower Cutter	G1075-02
4	5020405287	LOWER CUTTER SUPPORT	G1245
5	5020405234	LOWER CUTTER HOLDER SET	G10722A
6	5020405265	CUTTING WIDTH KNOB SHAFT	G1135
7	5020405286	LOWER CUTTER HOLDER BUSHING	G1244
8	5020405341	CUTTING WIDTH KNOB SET	G2055S
9	5020405374	CUTTING WIDTH DIAL	G8020P001
10	5020405275	Feed Dog Holder Guide Bo	G1153
11	5020405276	Feed Dog Holder Guide B	G1154
12	5020405229	STITCH PLATE	G1067
13	5020405354	FIXED-LEVER	G4014
13	5020405936	FIXED LEVER	G4014-01
14	5020405346	FIXED BOARD	G2091
15	5020405230	MOVING LEVER	G1068
16	5020405306	LOCATING SPRING	G1289
17	5020405263	MOVING LEVER HOLDER	G1132
18	5020405185	STITCH FINGER LEVER COVER	B10141567
19	5020405278	Needle Plate Locating Boar	G1156-01
20	5020405277	NEEDLE PLATE LOCATING BOARD	G1155
21	5020405303	Front Feed Dog Guide Boa	G1283
22	5020405300	Set screw	G1279
23	5020405448	Set screw	ZM02L04E44
24	5020405450	Set screw	ZM03L03A03
25	5020405451	Set screw	ZM03L04A13
26	5020405453	Set screw	ZM03L05A03
27	5020405458	Set screw	ZM03L06E04
28	5020405468	Set screw	ZM04L04M71
29	5020405126	Set screw	ZM04L06M71
30	5020405472	Set screw	ZM04L08A02
31	5020405477	Set screw	ZM04L10W02
32	5020405485	Washer	ZW03.2F07E03

b44

Stitch plate

Pos	Item number	Description	Supplier Part no.
33	5020405496	Wave washer	ZW05.2W09A11
34	5020405515	STITCH PLATE SET	G1067B



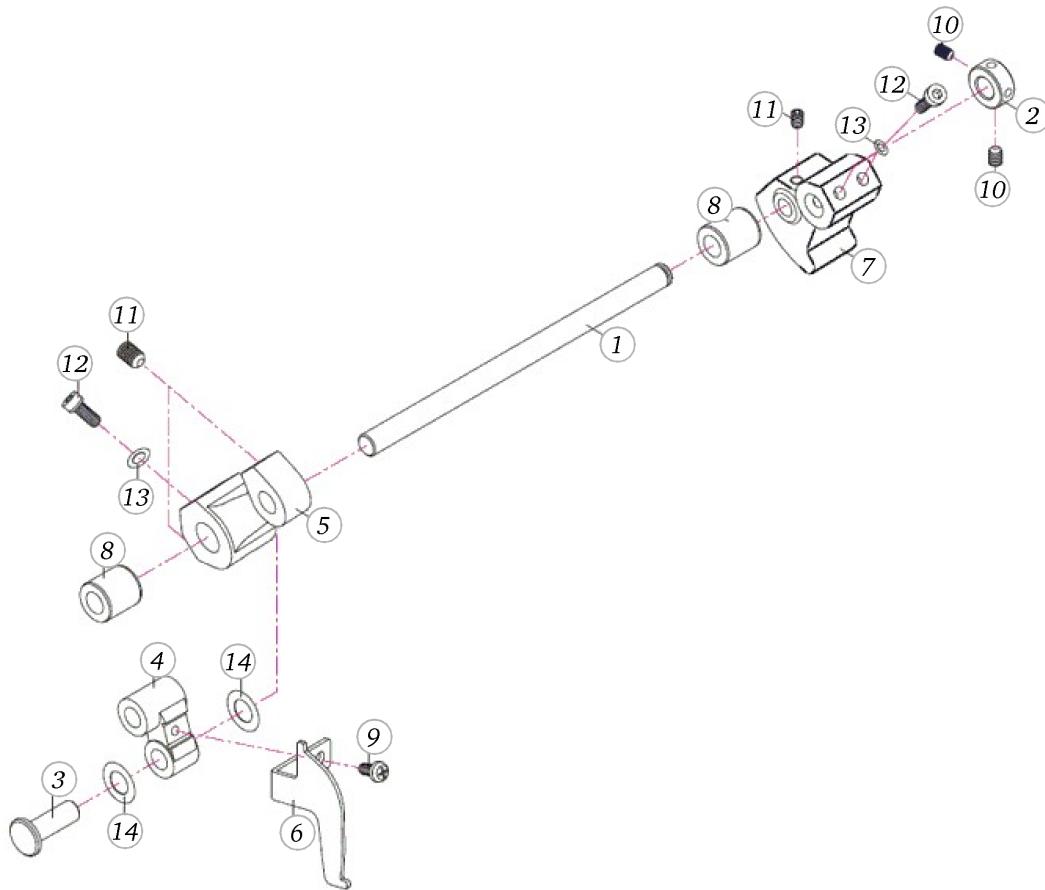


Main shaft

Pos	Item number	Description	Supplier Part no.
1	5020405404	MAIN SHAFT	G8050
2	5020405437	Pin	M1210
3	5020405370	HAND WHEEL	G8016-8005
4	5020405422	Screw cap	H1030-8005
5	5020405141	BUSHING	A1035-01
6	5020405149	Setting collar set	A1095-01S
7	5020405338	NEEDLE BAR CAM SET	G2042S
8	5020405209	NEEDLE BAR CONNECTING BAR	G1037
9	5020405146	FEED DOG LINK PIN (B)	A10831000
10	5020405307	LOOPER LINK SET	G1290-01S
11	5020405154	LOOPER CAM (A) SET	A1157-1S
12	5020405212	FEED DOG CAM SET	G1042S
13	5020405213	Feed Dog Supporter Slide Blo	G1043
14	5020405308	LOOPER LINK (B) SET	G1291-01S
15	5020405207	LOWER LOOPER CAM SET	G1035-1S
16	5020405210	BUSHING	G1040-01
16	5020405529	Bushing	G1040-02
17	5020405150	Setting collar set	A1096S
18	5020405337	LOOPER SHAFT LINK(B) SET	G2041S
19	5020405309	Bearing	G12932
20	5020405145	Looper shaft link pin	A10791000
21	5020405340	LOWER LOOPER SHAFT	G2045
22	5020405339	UPPER LOOPER SHAFT	G2044
23	5020405205	LOOPER SHAFT LINK SET	G1032-01S
24	5020405446	E ring	ZE06T08E13
25	5020405468	Set screw	ZM04L04M71
26	5020405126	Set screw	ZM04L06M71
27	5020405474	Set screw	ZM04L10E02
28	5020405482	Set screw	ZM05L06M71
29	5020405488	Washer	ZW04.2F16J02
30	5020405498	Washer	ZW06.2N11B00
31	5020405505	Washer	ZW10.2N15B00

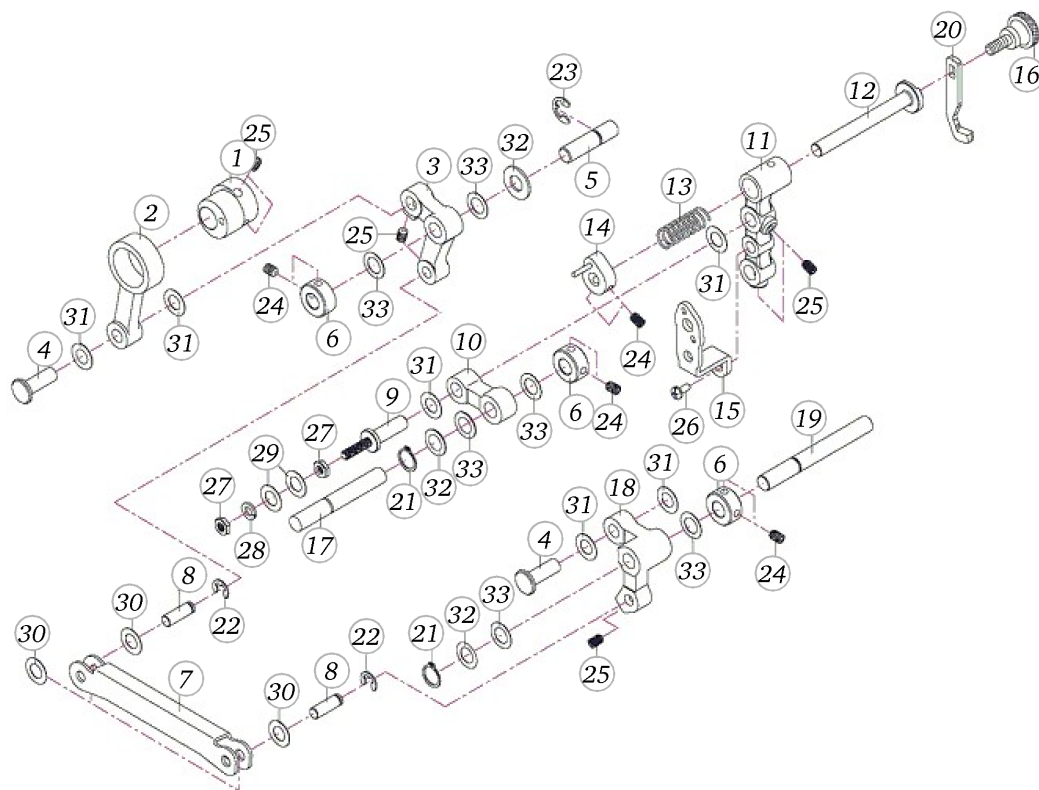
b44

Needle bar connecting arm



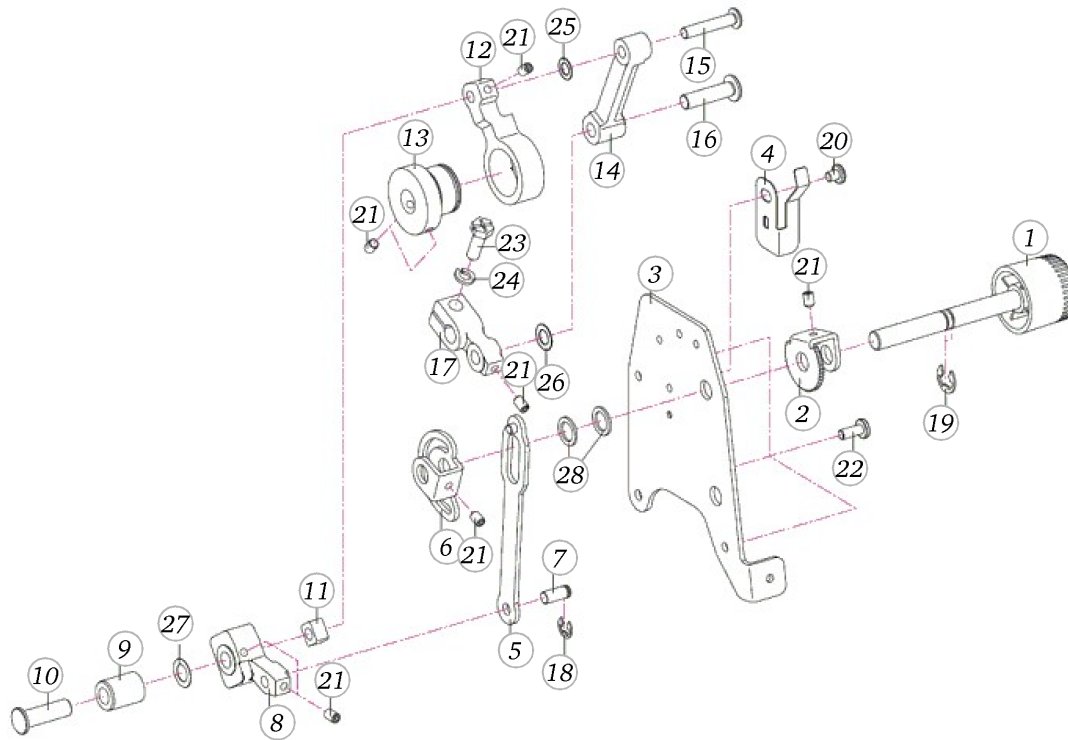
Pos	Item number	Description	Supplier Part no.
1	5020405320	NEEDLE BAR LINK SHAFT	G1346
2	5020405150	Setting collar set	A1096S
3	5020405330	Needle bar link pin	G1383-01
4	5020405248	Needle bar connecting arm	G1089
5	5020405417	NEEDLE BAR CRANK (L) SET	H1005S
6	5020405415	NEEDLE BAR THREAD TAKE-UP LEVER	G8071
7	5020405319	NEEDLE BAR CRANK SET	G1341S
8	5020405424	LOOPER SHAFT BUSHING	H1026-01
8	5020405531	Bushing	H1026-02
9	5020405458	Set screw	ZM03L06E04
10	5020405468	Set screw	ZM04L04M71
11	5020405126	Set screw	ZM04L06M71
12	5020405480	Set screw	ZM04L16Q71
13	5020405492	Washer	ZW04S07J12
14	5020405498	Washer	ZW06.2N11B00

Knife drive



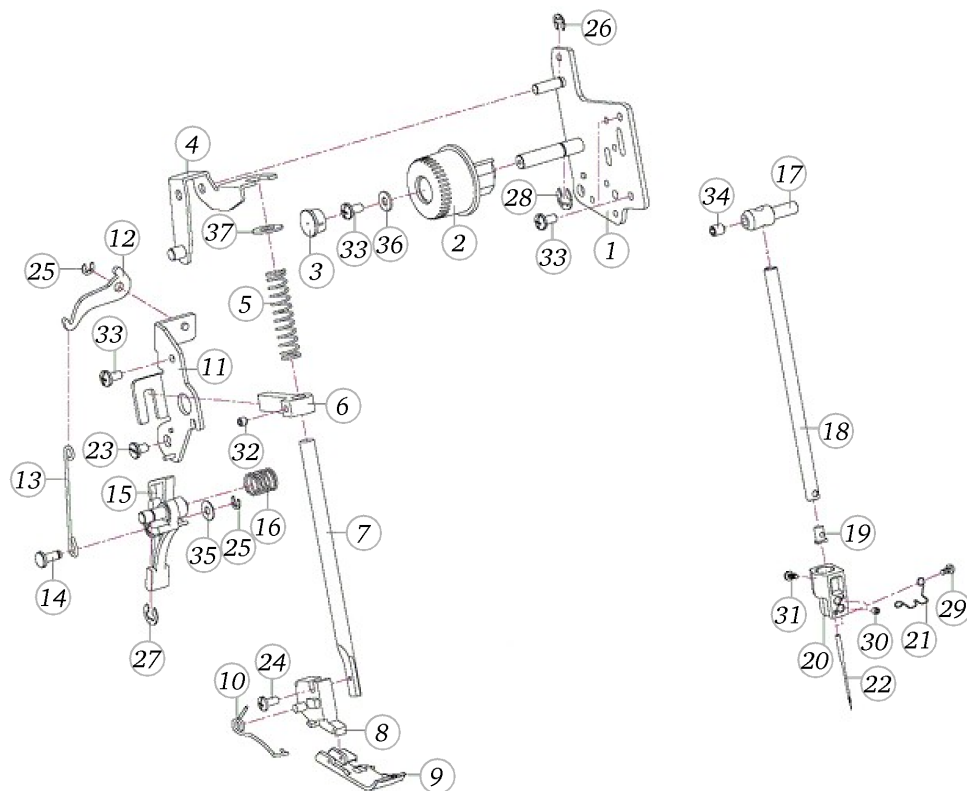
Pos	Item number	Description	Supplier Part no.
1	5020405243	UPPER KNIFE CAM SET	G1084S
2	5020405240	UPPER KNIFE SHAKE LINK	G1081
3	5020405241	UPPER KNIFE SHAKE ARM SET	G1082-01S
4	5020405146	FEED DOG LINK PIN (B)	A10831000
5	5020405283	UPPER KNIFE SHAKE ARM SHAFT	G1225
6	5020405148	SETTING-COLLAR-SET	A1094S
6	5020405750	Setting collar set	A1094-01S
7	5020405242	UPPER KNIFE LINK	G1083
8	5020405285	UPPER KNIFE LINK PIN	G1236-01
9	5020405269	UPPER KNIFE ARM SHAFT	G1143
10	5020405235	UPPER KNIFE ARM SUPPORT BAR	G1073
11	5020405329	UPPER KNIFE ARM SET	G1366S
12	5020405336	UPPER KNIFE HOLDER	G2035
13	5020405266	UPPER KNIFE SPRING	G1140
14	5020405267	UPPER KNIFE SETTING COLLAR SET	G11412
15	5020405268	UPPER KNIFE HOLDER SUPPORT	G1142
16	5020405281	SET SCREW	G1206
17	5020405264	Upper Knife Arm Support	G1133
18	5020405239	UPPER KNIFE ARM DRIVE ARM SET	G1078-01S
19	5020405270	UPPER KNIFE SHAKE ARM SHAFT	G1146
20	5020405237	UPPER KNIFE	G1076-01
21	5020405442	C RING	ZC07T0.8G11
22	5020405444	E ring	ZE04T06E13
23	5020405446	E ring	ZE06T08E13
24	5020405468	Set screw	ZM04L04M71
25	5020405126	Set screw	ZM04L06M71
26	5020405474	Set screw	ZM04L10E02
27	5020405464	SET SCREW	ZM04H02.4H03
28	5020405492	Washer	ZW04S07J12
29	5020405490	Washer	ZW04.3F10J02
30	5020405497	Washer	ZW05.5N12B00
31	5020405498	Washer	ZW06.2N11B00
32	5020405500	Washer	ZW07.3F12E01
33	5020405502	Washer	ZW07.3N12B00

Feed regulation



Pos	Item number	Description	Supplier Part no.
1	5020405371	STITCH LENGTH DIAL	G8017P001
2	5020405389	LOCATING COLLAR SET	G8035S
3	5020405376	FEED REGULATE HOLDER	G8022
4	5020405427	LOCATING SPRING	J1125
5	5020405382	FEED REGULATE LINK SET	G80282
6	5020405377	FEED DRIVING LEVER SET	G8023S
7	5020405322	Feed driving lever pin	G1350
8	5020405393	FEED SLIDE HOLDER SET	G8038S
9	5020405143	Bushing	A10411000
10	5020405147	Feed regulate holder shaft	A1086-01
11	5020405251	Feed slide block	G1099
12	5020405321	Feed driving lever set	G1349S
13	5020405140	Feed cam set	A1018-01S
14	5020405323	Feed shake link	G1351
15	5020405224	Feed dog holder pin	G1055
16	5020405324	Feed shake link pin	G1352
17	5020405325	Feed link set	G1358S
18	5020405444	E ring	ZE04T06E13
19	5020405446	E ring	ZE06T08E13
20	5020405125	Set screw	ZM04L04.5A04
21	5020405126	Set screw	ZM04L06M71
22	5020405472	Set screw	ZM04L08A02
23	5020405483	Set screw	ZM05L15P42
24	5020405494	Washer	ZW05.1S08.3L12
25	5020405495	Washer	ZW05.2N08B00
26	5020405498	Washer	ZW06.2N11B00
27	5020405502	Washer	ZW07.3N12B00
28	5020405503	WASHER	ZW08.2F12J01

Needle bar and presser foot

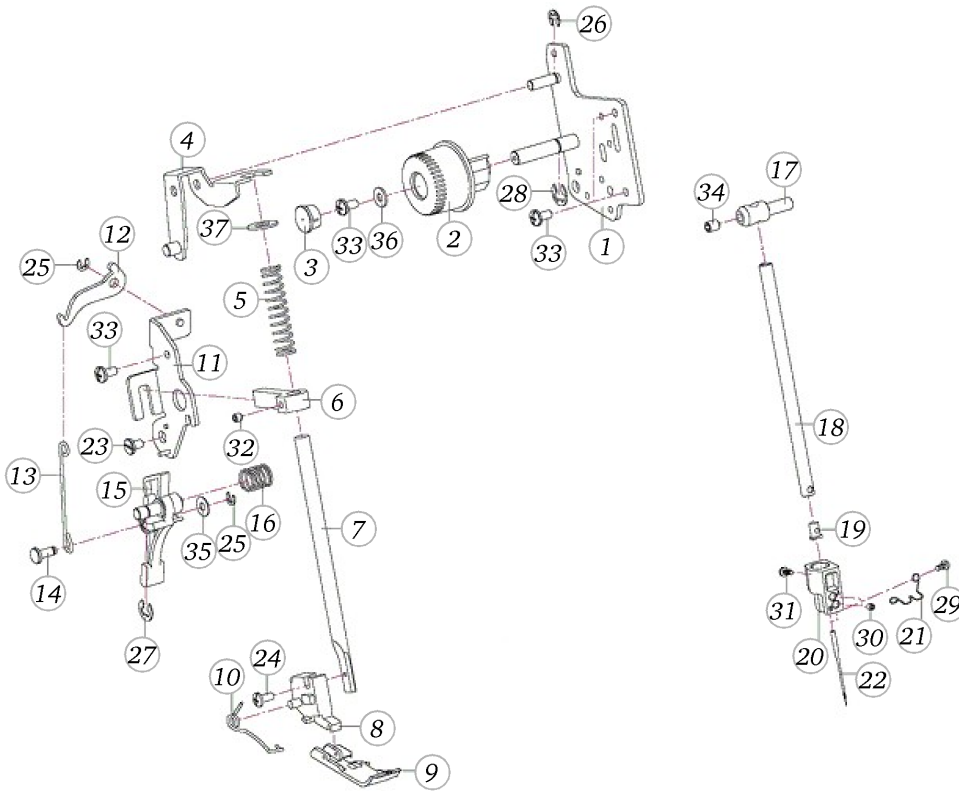


Pos	Item number	Description	Supplier Part no.
1	5020405396	SUPPORT SETTING BOARD SET	G80412
2	5020405372	PRESSER BAR DIAL	G8018P001
3	5020405422	Screw cap	H1030-8005
4	5020405397	NEEDLE BAR LOCATE BOARD SET	G80422
5	5020405342	Presser bar spring	G2066
6	5020405332	Presser Bar Setting Link S	G2016S
7	5020405296	Presser bar	G1266
8	5020405156	Presser foot holder	A1A021004
9	5020405106	Standard presser foot packed	G20762A
10	5020405203	SPRING SHORT	G1022
11	5020405401	Presser Bar Lifter Holder Se	G80462
12	5020405402	RELEASE LINK	G8047
13	5020405403	RELEASE LINK	G8049
14	5020405334	RELEASE LINK PIN (A)	G2025
15	5020405312	PRESSER BAR LIFTER	G1298-0505
16	5020405333	PRESSER BAR-LIFER-SPRING	G2020
16	5020405934	PRESSER BAR LIFTER SPRING	G2020-01
17	5020405247	Needle bar setting link set	G1088S
18	5020405328	Needle bar	G1362
19	5020405327	Needle clamp nut	G1361-01
20	5020405191	NEEDLE CLAMP	E10102
21	5020405151	NEEDLE CLAMP THREAD GUIDE	A11101000
22	5020405161	NEEDLE (12##)	A1K07
23	5020405300	Set screw	G1279
24	5020405441	Set screw	Z0964L08A14
25	5020405443	E Ring	ZE03T06E13
26	5020405444	E ring	ZE04T06E13
27	5020405445	E ring	ZE05T06E13
28	5020405446	E ring	ZE06T08E13
29	5020405448	Set screw	ZM02L04E44
30	5020405455	SET SCREW	ZM03L05N71
31	5020405456	Set screw	ZM03L06A04
32	5020405468	Set screw	ZM04L04M71
33	5020405472	Set screw	ZM04L08A02

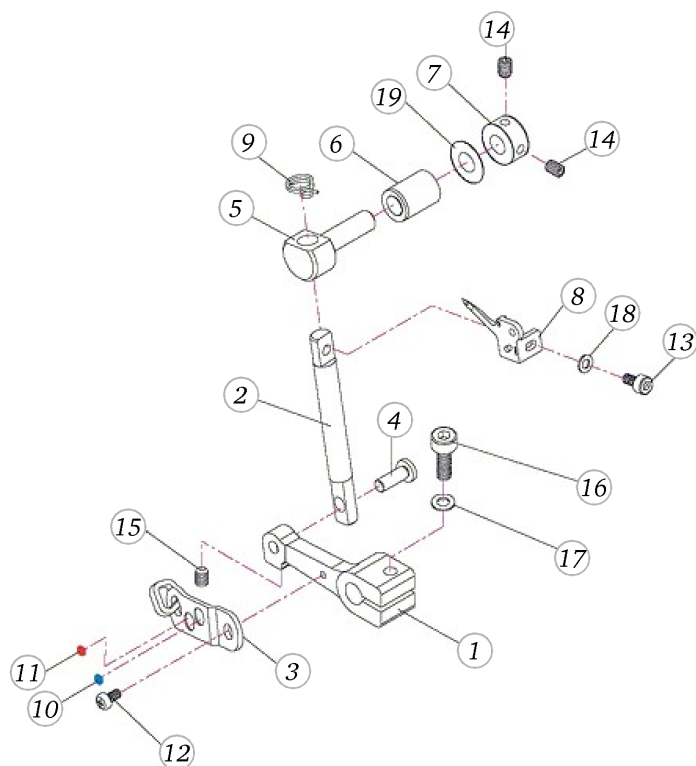
b44

Needle bar and presser foot

Pos	Item number	Description	Supplier Part no.
34	5020405482	Set screw	ZM05L06M71
35	5020405489	WASHER	ZW04.2F10E03
36	5020405490	Washer	ZW04.3F10J02
37	5020405501	Washer	ZW07.3F15J03

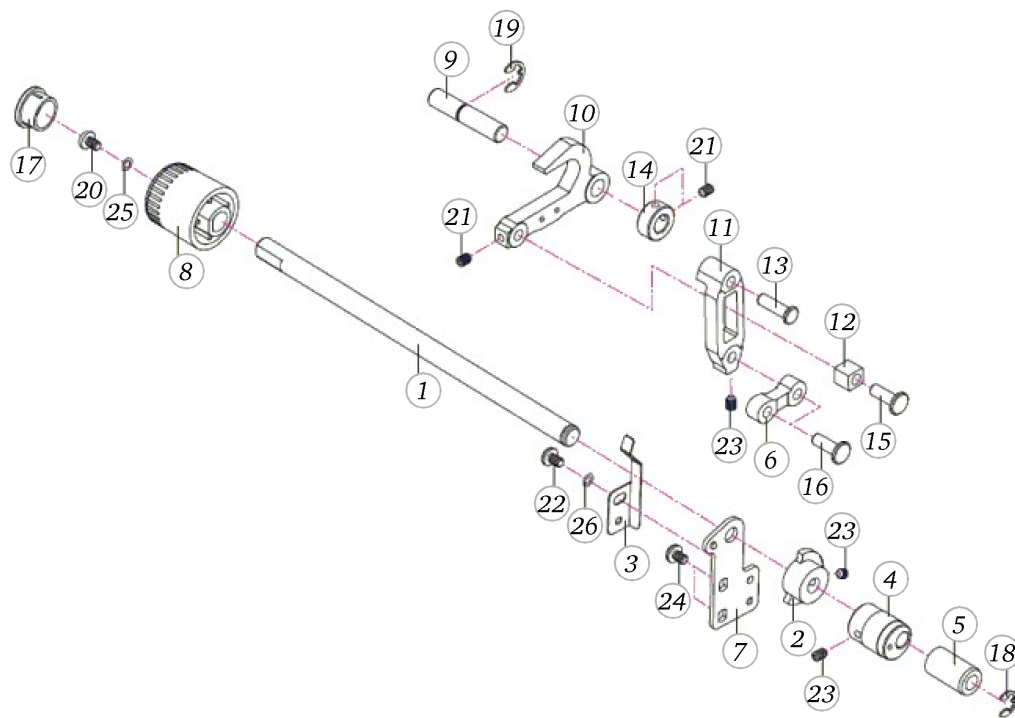


Upper looper



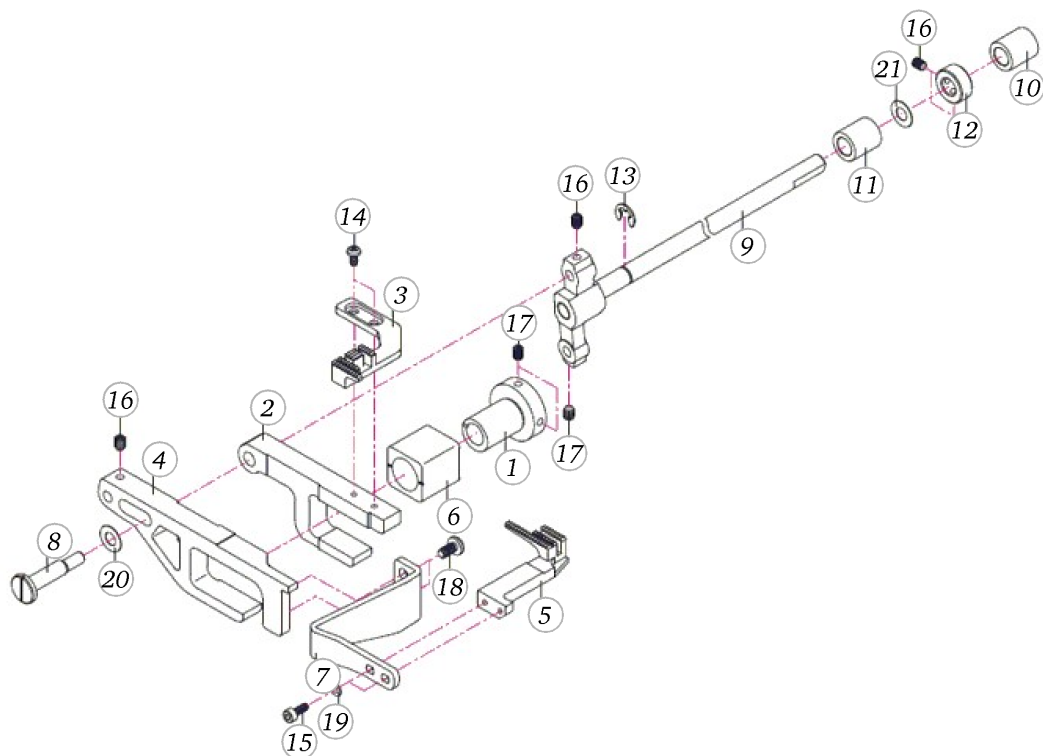
Pos	Item number	Description	Supplier Part no.
1	5020405335	Upper Looper Connecting Arm S	G2032S
2	5020405295	SLIDE SHAFT	G1263
3	5020405430	LOWER LOOPER THREAD TAKE-UP LEVER	J1169
4	5020405310	SLIDE SHAFT PIN	G1296
5	5020405244	SLIDE SHAFT HOLDER	G1085
6	5020405245	SLIDE SHAFT HOLDER BUSHING	G1086
7	5020405148	SETTING-COLLAR-SET	A1094S
7	5020405750	Setting collar set	A1094-01S
8	5020405294	UPPER LOOPER	G1261
9	5020405299	UPPER LOOPER THREADING GUIDE	G1271
10	5020405409	COLOR STICKER (BLUE)	G80641285
11	5020405410	COLOR STICKER (RED)	G80641485
12	5020405458	Set screw	ZM03L06E04
13	5020405462	Set screw	ZM03L08Q71
14	5020405468	Set screw	ZM04L04M71
15	5020405126	Set screw	ZM04L06M71
16	5020405480	Set screw	ZM04L16Q71
17	5020405492	Washer	ZW04S07J12
18	5020405486	Washer	ZW03.2F07J03
19	5020405502	Washer	ZW07.3N12B00

Differential feed regulation



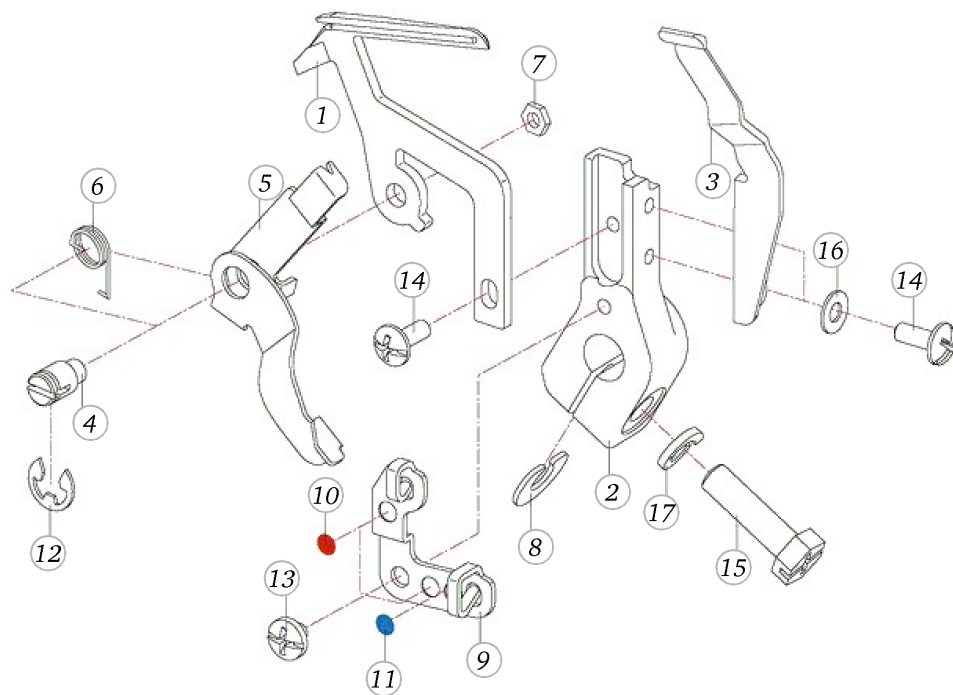
Pos	Item number	Description	Supplier Part no.
1	5020405420	D.F. SHAFT	H1023
2	5020405290	D.F. LOCATING COLLAR SET	G1256S
3	5020405291	D.F. DIAL LOCATING SPRING	G1257-01
4	5020405222	D.F. REGULATE CAM SET	G1052-01S
5	5020405167	D.F. DIAL BUSHING	A40101000
6	5020405217	D.F. LINK BAR	G1047
7	5020405279	D.F. DIAL SUPPORT	G1164
8	5020405373	D.F. DIAL	G8019P001
9	5020405223	D.F. REGULATE SHAFT	G1054
10	5020405221	D.F. REGULATE SUPPORT SET	G1051-01S
11	5020405215	Differential feed slide holder set	G1045S
12	5020405216	Differential feed slide block	G1046
13	5020405224	Feed dog holder pin	G1055
14	5020405150	Setting collar set	A1096S
15	5020405145	Looper shaft link pin	A10791000
16	5020405220	Differential feed link pin	G1050
17	5020405422	Screw cap	H1030-8005
18	5020405445	E ring	ZE05T06E13
19	5020405446	E ring	ZE06T08E13
20	5020405459	E RING	ZM03L08E04
21	5020405468	Set screw	ZM04L04M71
22	5020405125	Set screw	ZM04L04.5A04
23	5020405126	Set screw	ZM04L06M71
24	5020405472	Set screw	ZM04L08A02
25	5020405487	Washer	ZW03.3F10J02
26	5020405490	Washer	ZW04.3F10J02

Feed dog unit



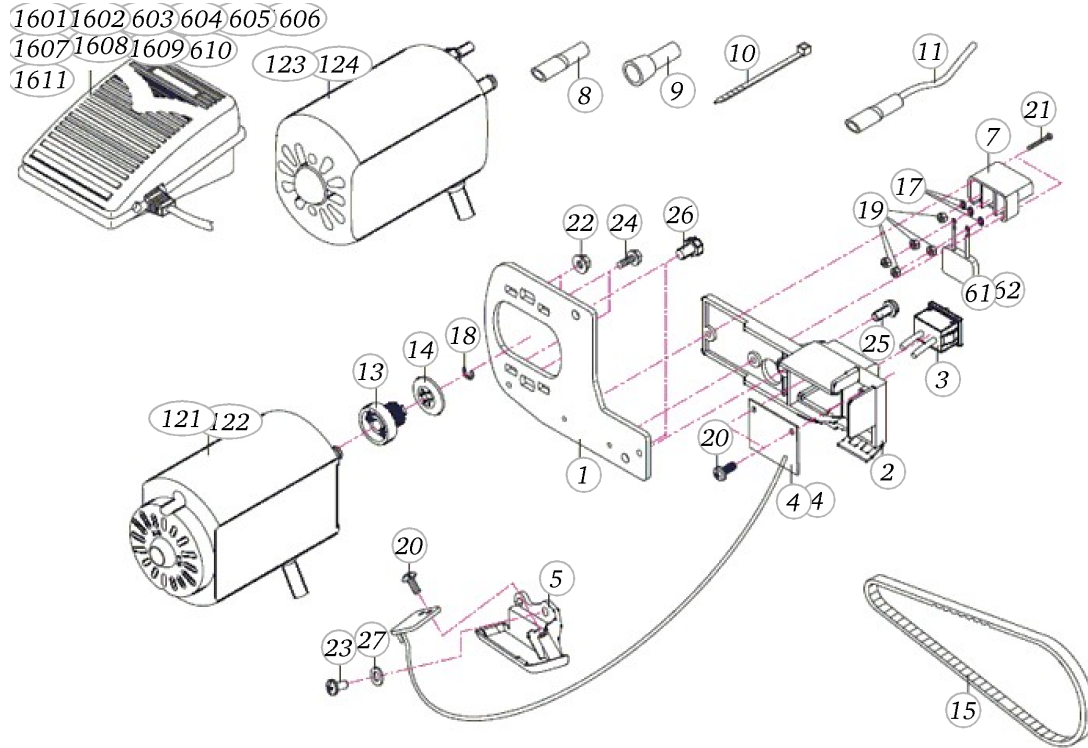
Pos	Item number	Description	Supplier Part no.
1	5020405212	FEED DOG CAM SET	G1042S
2	5020405214	FEED DOG HOLDER (REAR)	G1044
3	5020405227	FEED DOG (REAR)	G1065
4	5020405219	FEED DOG HOLDER (FRONT) SET	G1049S
5	5020405228	FEED DOG (FRONT)	G1066-01
6	5020405213	Feed Dog Supporter Slide Blo	G1043
7	5020405231	FEED DOG SUPPORTER (FRONT)	G1069
8	5020405225	FEED DOG HOLDER PIN	G1056-01
9	5020405218	Feed Dog Movement Rod Compl	G10482
10	5020405210	BUSHING	G1040-01
11	5020405529	Bushing	G1040-02
12	5020405211	LOOPER SHAFT BUSHING (L)	G1040-1-01
13	5020405530	Bushing	G1040-1-02
14	5020405150	Setting collar set	A1096S
15	5020405447	E ring	ZE07T08E13
16	5020405460	Set screw	ZM03L08E71
17	5020405462	Set screw	ZM03L08Q71
18	5020405468	Set screw	ZM04L04M71
19	5020405126	Set screw	ZM04L06M71
20	5020405473	SET SCREW	ZM04L08A12
21	5020405486	Washer	ZW03.2F07J03
	5020405499	WASHER	ZW06.6N13B00
	5020405504	Washer	ZW08.2N12B00

Lower looper



Pos	Item number	Description	Supplier Part no.
1	5020405274	LOWER LOOPER	G1152
2	5020405273	LOWER LOOPER SUPPORTER SET	G1151-01S
3	5020405293	LOWER LOOPER PROTECT BOARD	G1260
3	5020405521	LOWER LOOPER PROTECT BOARD	G8058
4	5020405272	AUTO THREADER SHAFT	G1149
5	5020405271	AUTO THREADER	G1148
6	5020405166	Auto Threader Spring	A30051001
7	5020405343	NUT	G2069
8	5020405304	Washer	G1287
9	5020405298	LOWER LOOPER THREAD GUIDE SET	G1270G
10	5020405410	COLOR STICKER (RED)	G80641485
11	5020405409	COLOR STICKER (BLUE)	G80641285
12	5020405444	E ring	ZE04T06E13
13	5020405458	Set screw	ZM03L06E04
14	5020405460	Set screw	ZM03L08E71
15	5020405484	Set screw	ZM05L18P02
16	5020405485	Washer	ZW03.2F07E03
17	5020405494	Washer	ZW05.1S08.3L12

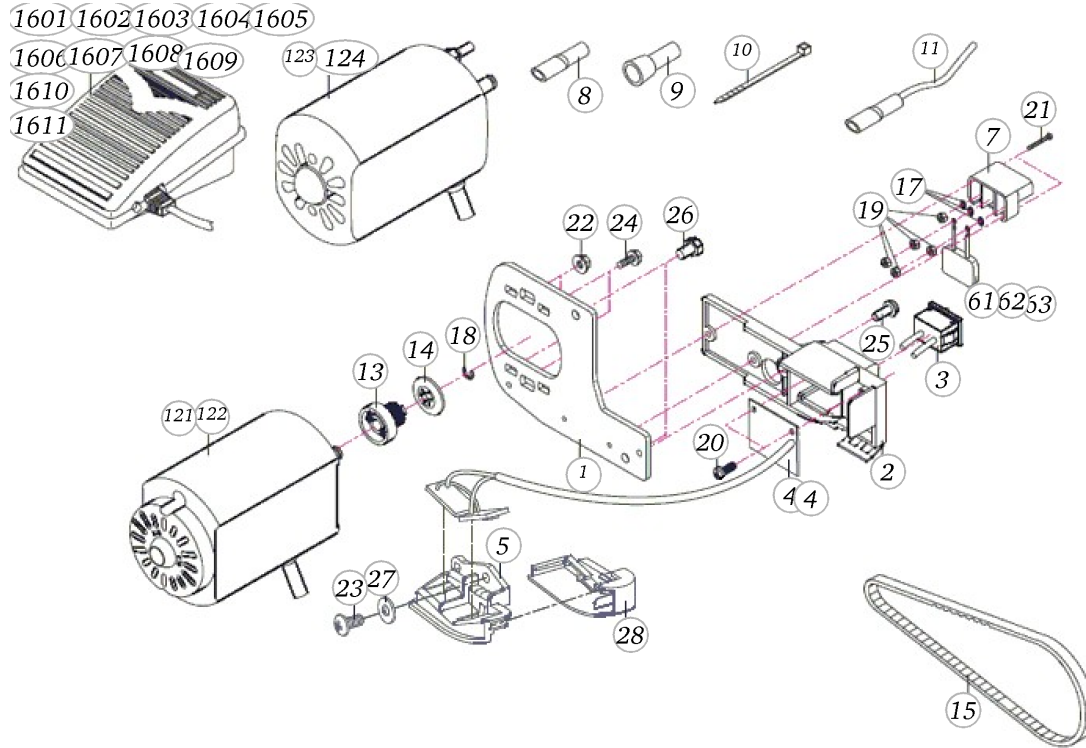
b44



Motor

Pos	Item number	Description	Supplier Part no.
1	5020405375	MOTOR SUPPORTER	G8021
2	5020405155	SWITCH SUPPORTER	A1192-8005
3	5020405197	Switch	EE378
4	5020405394	LED PCB (100~120V)	G80392
4	5020405395	LED PCB (220~240V)	G80402
5	5020405431	LED PCB HOLDER (A)	J1173-01
7	5020405128	Machine socket	3SRF-2
8	5020405196	Insulated double crimp disconnecter (230V)	EE0511184
9	5020405194	C4 End terminal	EE0191000
10	5020405193	Cord clip	EE0112004
11	5020405195	Terminal W/transparent insulation tube	EE0501000
13	5020405152	Timing belt pulley	A11411000
14	5020405153	Timing belt pulley cover	A11421000
15	5020405418	Timing belt	H1011
17	5020405438	Washer	M9838
18	5020405444	E ring	ZE04T06E13
19	5020405449	Nut (100V*3PCS /120V*3PCS / 220V~240V*5PCS)	ZM03H02.4H03
20	5020405461	Set screw	ZM03L08F42
21	5020405463	Set screw	ZM03L22C42
22	5020405466	Nut (100~120V)	ZM04H05F02
23	5020405472	Set screw	ZM04L08A02
24	5020405476	Set screw (220V~240V)	ZM04L10R42
25	5020405477	Set screw	ZM04L10W02
26	5020405483	Set screw	ZM05L15P42
27	5020405490	Washer	ZW04.3F10J02
61	5020405433	CONDENSER (100V)	KC98-18A
62	5020405432	Condenser (220V~240V)	KC98-18
63	5020405434	Condenser (220V~240V)	KC98-18S
121	5020405127	MOTOR (100V) JAPAN	3M-903E404
122	5020405435	MOTOR (115V) U.S.A.	KM-6390U
123	5020405440	MOTOR (220V) KOREA	WM-298I-926
124	5020405439	MOTOR (230V) EUROPE	WM-298I-9
1601	5020405129	Foot controller (Japan)	4C-315A221

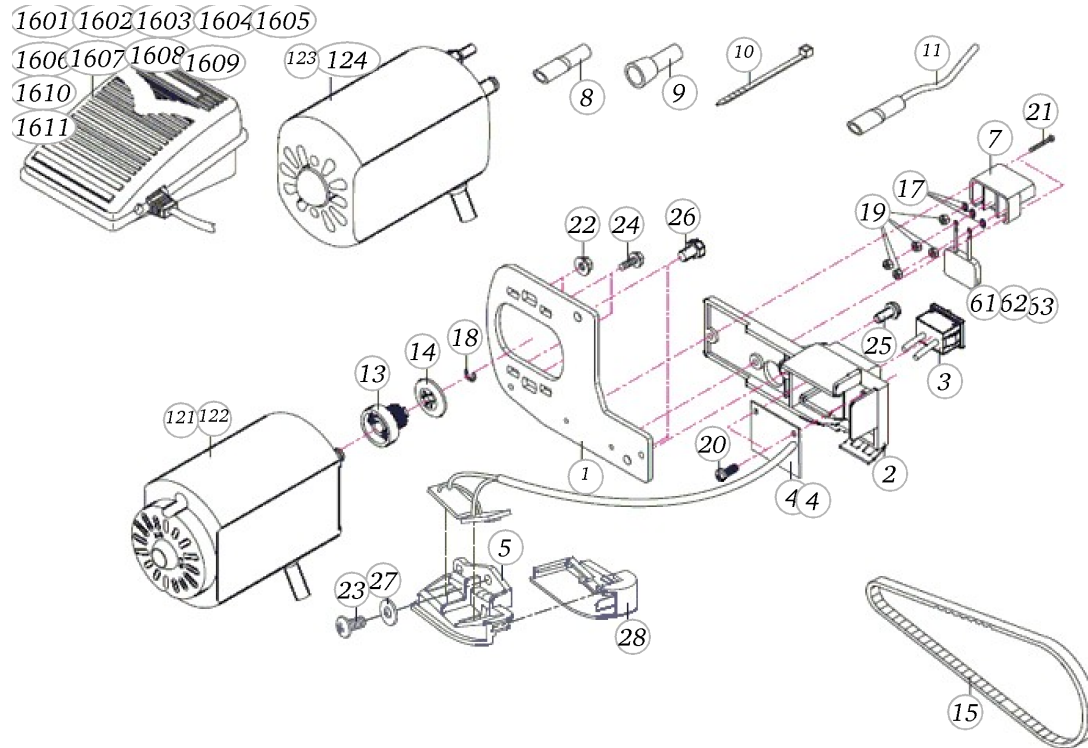
b44



Motor (>=5880000112)

Pos	Item number	Description	Supplier Part no.
1	5020405375	MOTOR SUPPORTER	G8021
2	5020405155	SWITCH SUPPORTER	A1192-8005
3	5020405197	Switch	EE378
4	5020405519	Led PCB Set 220-240V	G80972
4	5020405524	Led PCB 110-120V	G80982
5	5020405520	LED PCB Holder A	G8095-111
7	5020405128	Machine socket	3SRF-2
8	5020405196	Insulated double crimp disconnecter (230V)	EE0511184
9	5020405194	C4 End terminal	EE0191000
10	5020405193	Cord clip	EE0112004
11	5020405195	Terminal W/transparent insulation tube	EE0501000
13	5020405152	Timing belt pulley	A11411000
14	5020405153	Timing belt pulley cover	A11421000
15	5020405418	Timing belt	H1011
17	5020405438	Washer	M9838
18	5020405444	E ring	ZE04T06E13
19	5020405449	Nut (100V*3PCS /120V*3PCS /	ZM03H02.4H03
		220V~240V*5PCS)	
20	5020405461	Set screw	ZM03L08F42
21	5020405463	Set screw	ZM03L22C42
22	5020405466	Nut (100~120V)	ZM04H05F02
23	5020405472	Set screw	ZM04L08A02
24	5020405476	Set screw (220V~240V)	ZM04L10R42
25	5020405477	Set screw	ZM04L10W02
26	5020405483	Set screw	ZM05L15P42
27	5020405490	Washer	ZW04.3F10J02
28	5020405518	LED COVER	G8096
61	5020405433	CONDENSER (100V)	KC98-18A
62	5020405432	Condenser (220V~240V)	KC98-18
63	5020405434	Condenser (220V~240V)	KC98-18S
121	5020405127	MOTOR (100V) JAPAN	3M-903E404
122	5020405435	MOTOR (115V) U.S.A.	KM-6390U
123	5020405440	MOTOR (220V) KOREA	WM-298I-926
124	5020405439	MOTOR (230V) EUROPE	WM-298I-9

b44

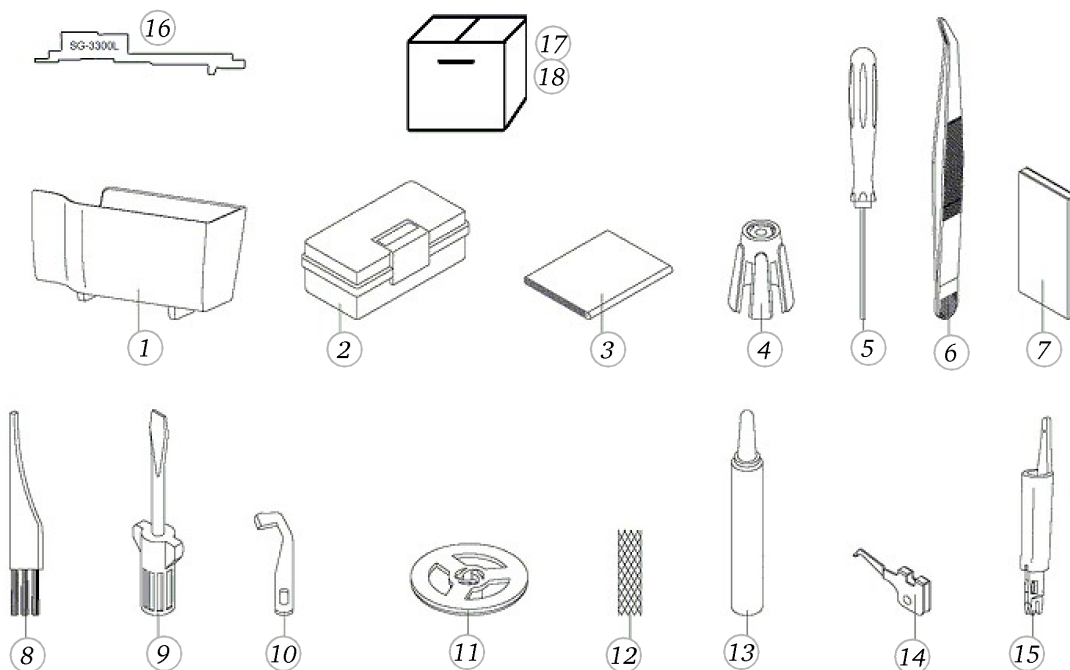


Motor (>=5880000112)

Pos	Item number	Description	Supplier Part no.
1601	5020405129	Foot controller (Japan)	4C-315A221
1602	5020405130	Foot controller (USA&Canada)	4C-316B22
1603	5020405131	Foot controller (Korea)	4C-316C26
1604	5020405132	Foot controller (Middle East)	4C-316C28
1605	5020405133	Foot controller (South Africa)	4C-326C22
1606	5020405134	Foot Controller (240V) Australia & New Zealand	4C-326C23
1607	5020405135	Foot controller (Europe)	4C-326G22
1608	5020405136	Foot controller (Argentina)	4C-326G24
1609	5020405137	Foot controller (UK)	4C-326G25
1610	5020405138	Foot controller (Saudi Arabia)	4C-326G35
1611	5020405139	Foot controller (India)	4C-326G36

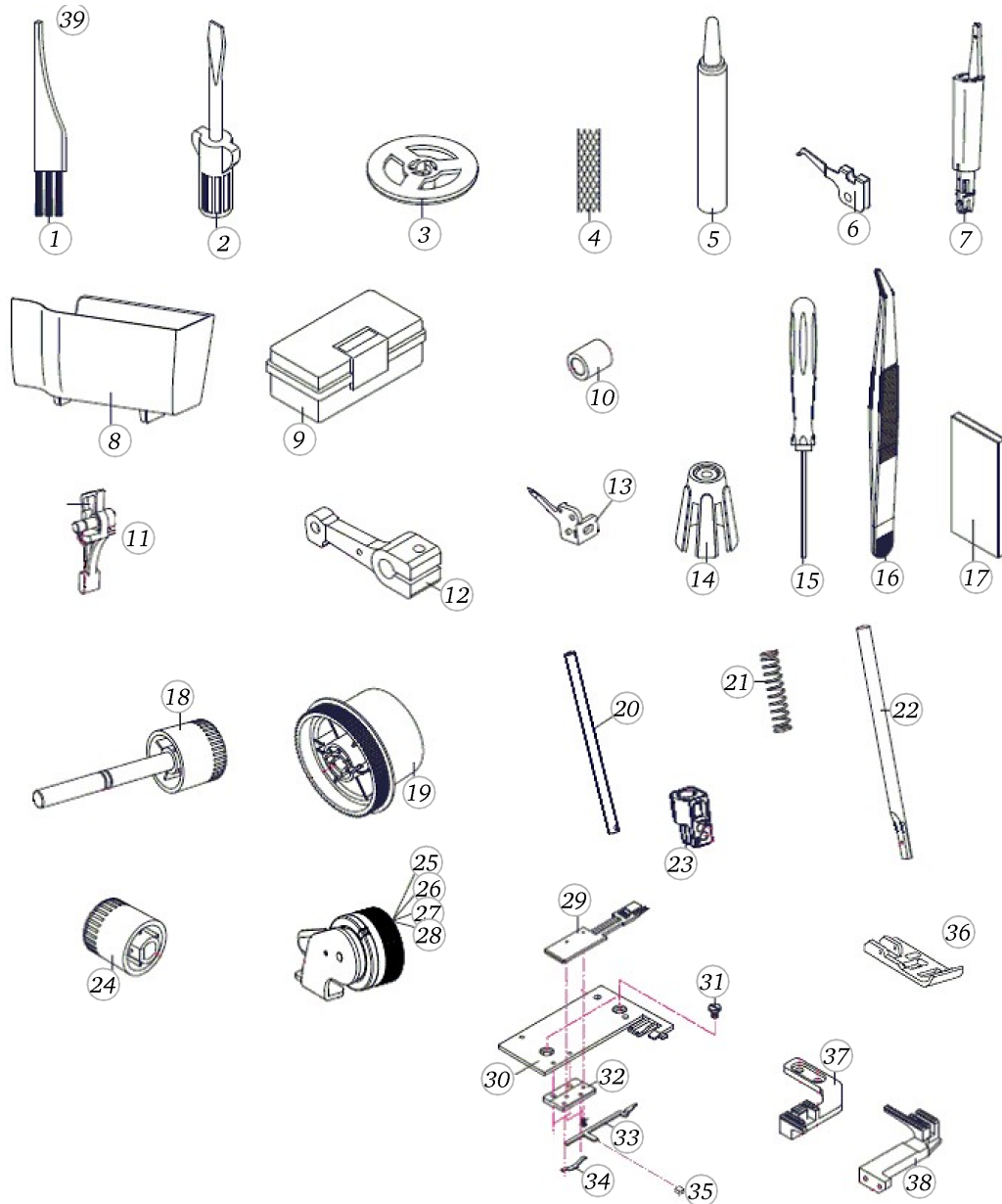
b44

Accessories



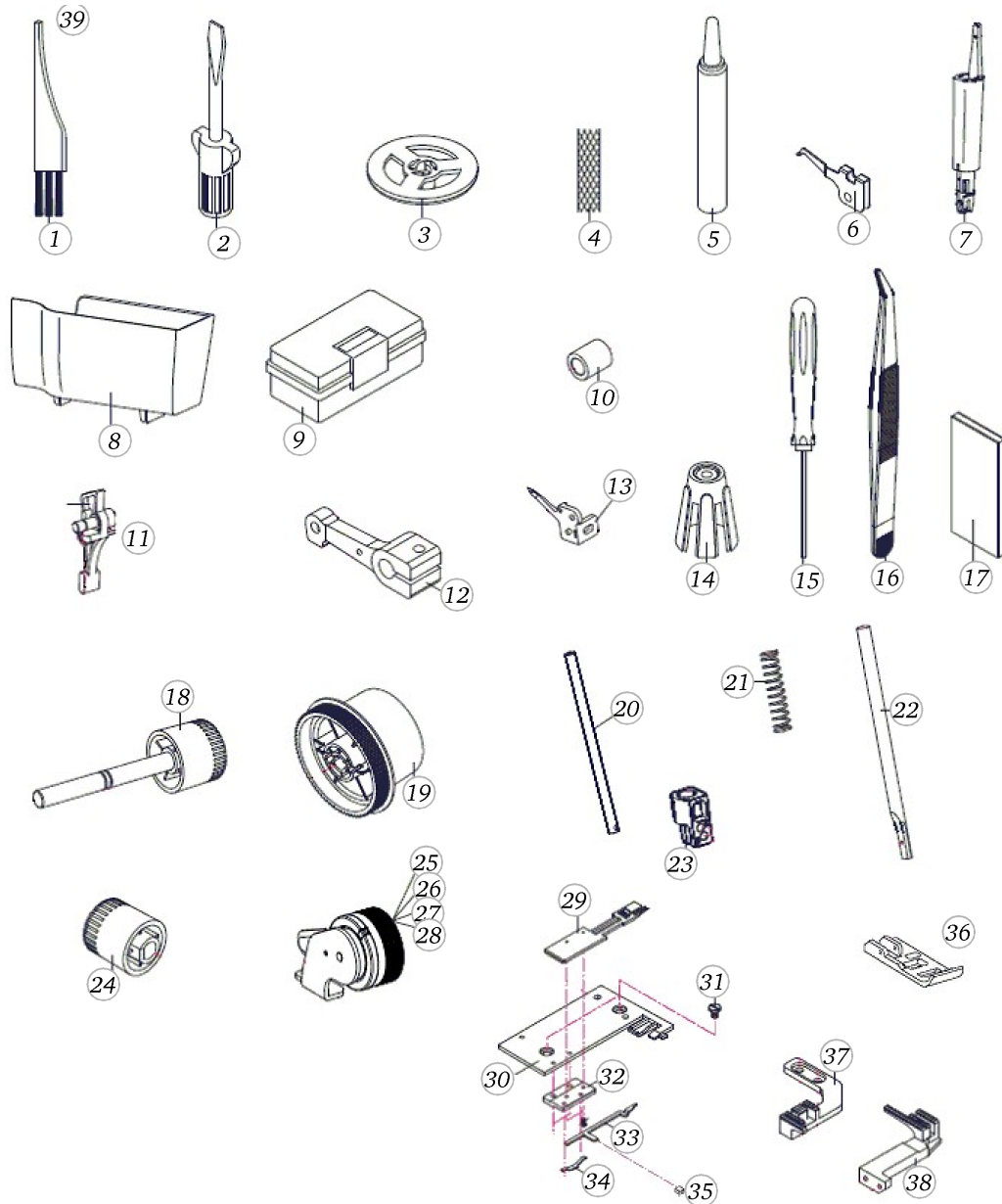
Pos	Item number	Description	Supplier Part no.
1	5020405124	Cut off bin	G8030-0505
2	5020405344	Accessory box	G2071
3	5020405412	DUST COVER	G8065
4	5020405165	Spool holder	A1V01-0505
5	5020405425	Allen screw driver	H1089
6	5020405423	TWEEZERS	G8076
7	5020405162	NEEDLE EL X 705 (3 pcs)	A1K072
8	5020405160	CLEANING BRUSH	A1H011000
8	5020405535	Cleaning brush	A1I01-01
9	5020405159	SCREW DRIVER	A1F011211
10	5020405237	UPPER KNIFE	G1076-01
11	5020405157	Thread unwinding spool cap	A1C01-0505
12	5020405164	Net	A1L011000
13	5020405158	Oiler	A1E011000
14	5020405313	TWO THREAD CONVERTER	G1303
15	5020405424	Needle threader	H10422-02
16	5020405507	Adjustment Gauge b40	SG-3300L
17	5020405122	Color carton b44	3320G001
18	5020405517	Styrofoam b42/b44/b48	G8062

Recommended Spare Parts



Pos	Item number	Description	Supplier Part no.
4	5020405160	CLEANING-BRUSH	A1H011000
1	5020405535	Cleaning brush	A1I01-01
2	5020405159	SCREW DRIVER	A1F011211
3	5020405157	Thread unwinding spool cap	A1C01-0505
4	5020405164	Net	A1L011000
5	5020405158	Oiler	A1E011000
6	5020405313	TWO THREAD CONVERTER	G1303
7	5020405424	Needle threader	H10422-02
8	5020405124	Cut off bin	G8030-0505
9	5020405344	Accessory box	G2071
40	5020405211	LOOPER-SHAFT-BUSHING (L)	G1040-1-01
10	5020405530	Bushing	G1040-1-02
11	5020405312	PRESSER BAR LIFTER	G1298-0505
12	5020405335	Upper Looper Connecting Arm S	G2032S
13	5020405294	UPPER LOOPER	G1261
14	5020405165	Spool holder	A1V01-0505
15	5020405425	Allen screw driver	H1089
16	5020405423	TWEEZERS	G8076
17	5020405162	NEEDLE EL X 705 (3 pcs)	A1K072
18	5020405371	STITCH LENGTH DIAL	G8017P001
19	5020405370	HAND WHEEL	G8016-8005
20	5020405328	Needle bar	G1362
21	5020405342	Presser bar spring	G2066
22	5020405296	Presser bar	G1266
23	5020405191	NEEDLE CLAMP	E10102
24	5020405373	D.F. DIAL	G8019P001
25	5020405169	Tension Dial Set (Left Need	B1004P024A
26	5020405170	Tension Dial Set (Middle	B1004P024B
27	5020405171	Tension Dial Set (Right Ne	B1004P024C
28	5020405172	Tension Dial Set (Lower Lo	B1004P024D
29	5020405354	FIXED-LEVER	G4014
29	5020405936	FIXED LEVER	G4014-01
30	5020405229	STITCH PLATE	G1067
31	5020405300	Set screw	G1279

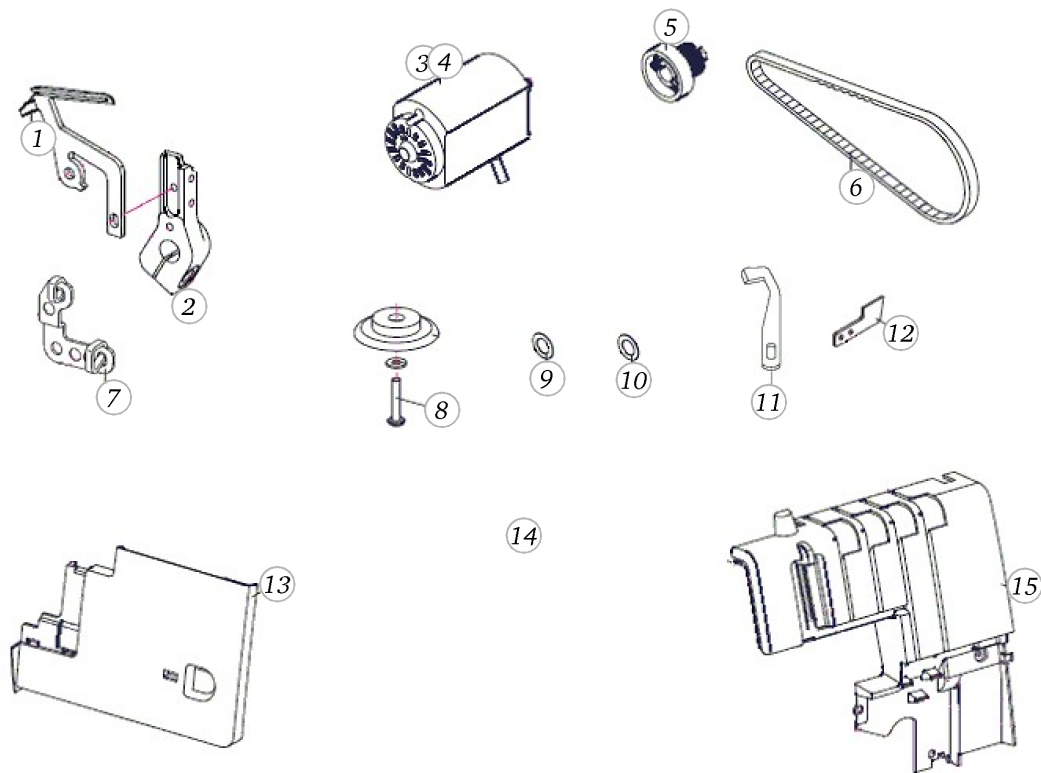
b44



Recommended Spare Parts

Pos	Item number	Description	Supplier Part no.
32	5020405346	FIXED BOARD	G2091
33	5020405230	MOVING LEVER	G1068
34	5020405306	LOCATING SPRING	G1289
35	5020405185	STITCH FINGER LEVER COVER	B10141567
36	5020405106	Standard presser foot packed	G20762A
37	5020405227	FEED DOG (REAR)	G1065
38	5020405228	FEED DOG (FRONT)	G1066-01
39	5020405237	UPPER KNIFE	G1076-01

b44



Recommended Spare Parts

Pos	Item number	Description	Supplier Part no.
1	5020405274	LOWER LOOPER	G1152
2	5020405273	LOWER LOOPER SUPPORTER SET	G1151-01S
3	5020405439	MOTOR (230V) EUROPE	WM-298I-9
4	5020405435	MOTOR (115V) U.S.A.	KM-6390U
5	5020405152	Timing belt pulley	A11411000
6	5020405418	Timing belt	H1011
7	5020405298	LOWER LOOPER THREAD GUIDE SET	G1270G
8	5020405481	SET SCREW	ZM04L22C42
9	5020405502	Washer	ZW07.3N12B00
10	5020405504	Washer	ZW08.2N12B00
11	5020405237	UPPER KNIFE	G1076-01
12	5020405236	LOWER-CUTTER	G1075-2
12	5020405533	Lower Cutter	G1075-02
13	5020405366	LOOPER COVER	G8012P001
14	5020405362	Upper Extension Table	G8010P001
15	5020405357	FRONT COVER SET	G8005P001A